

FIRE PERFORMANCE

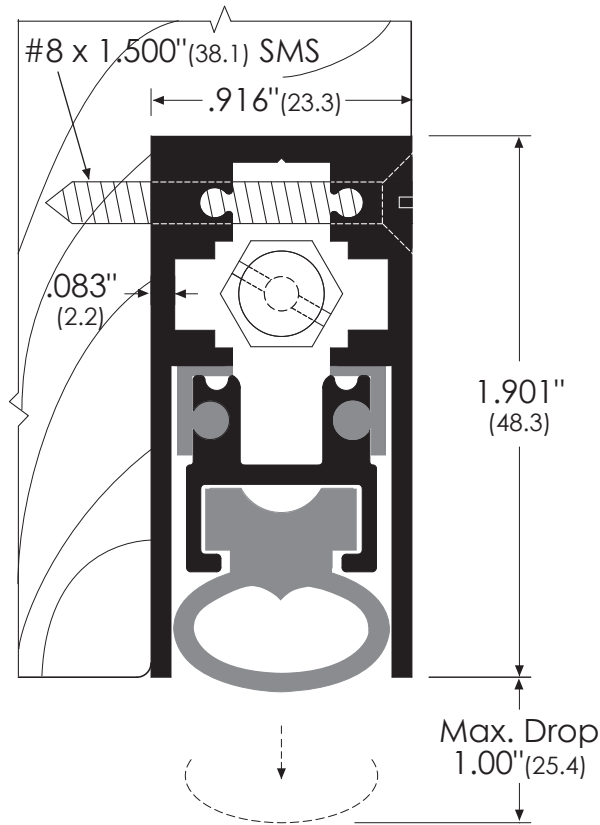


This seal is non-flammable.

SMOKE PERFORMANCE



The rubber seal in this gasket provides protection from smoke infiltration in accordance with provisions of NFPA 101 Life Safety Code and NFPA 80 Standard for Fire Doors and Other Opening Protectives



Legend:

AA = Clear Anodized
 D = Dark Bronze Anodized
 G = Gold Anodized

ANSI/BHMA

#366AA / 366D / 366G

R3B344

	415 Concord Avenue tel: 718.585.3230 Bronx, NY 10455 fax: 718.292.2243 email: zero@zerointernational.com web site: www.zerointernational.com	Part No: 366	
	Notes:	Part Description: Automatic Door Bottom - Semi Mortised/Heavy Duty	
Provided By:	Customer Name:	Job No:	Date: